



Deluxe Adjustable Heavy Duty Bracket BANNER INSTALLATION INSTRUCTIONS

General Guidelines

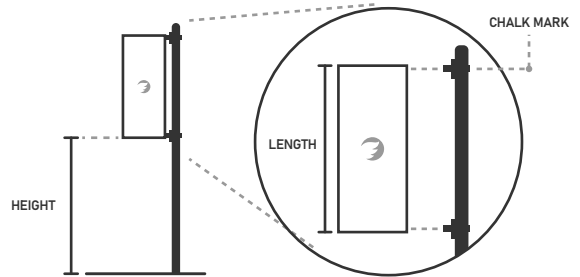
- Determining the ability of the light poles to withstand the additional wind load created by installation of banners is the responsibility of the customer.
- Square Poles over 5" wide on a side will not allow the Base Plate to mount securely and should not be used.
- Inspect the installation after 30 days to make sure that the banner brackets are tight and secure. Repeat inspections every 60 days and after especially strong windstorms or wind gusts; immediately re-tighten the banding according to these instructions if it has loosened. Failure to do so can cause damage to your banners.
- Properly installed and tensioned banners should be evenly taut across the full surface of the banner
- The Fiberglass rods are "canted" to provide even tension across the surface of the banner. The tip of the top rod should point upward and the tip of the bottom rod should point downward when properly installed. When the banner is tensioned, it will draw them both inward.

FOR INSTALLATION, YOU WILL NEED THE FOLLOWING TOOLS

- Ladder or Hydraulic Lift
- Flat edge screwdriver
- Marker or Chalk
- Plumb Bob
- 9/16" Wrench or Socket
- Duct Tape or Small Bungee Cord
- Two Deluxe Base Units w/4 Bolts
- Two Deluxe Arm Units
- Four Quick Release Banding
- Two Cable Ties

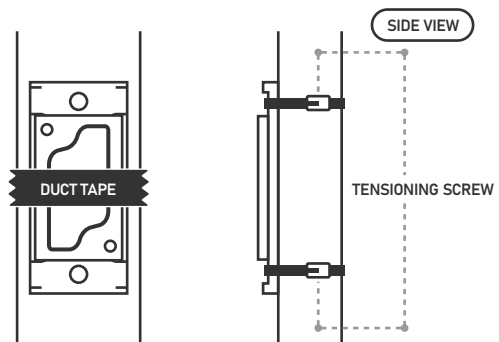
Installation Instructions

1. - Determine how high you want the bottom of the banner to be from the ground. (We recommend 16' over a roadway, and 12' over a pedestrian walkway.) Add the length of the banner to find where you should mount the TOP mounting base plate – mark with a piece of chalk. Place the center of the TOP base plate at the chalk mark and tape it to the pole using duct tape (or a bungee cord).



2. - Install the top Base Plate first. Install the top Base Plate only, to begin with. Place the center of the TOP base plate at the chalk mark and tape it to the pole using duct tape (or a bungee cord).

Using two (2) of the Quick-release bands, strap them around the pole and the Base Plate using the banding guides at the top and bottom of the Base Plate. Cinch up the bands and snap down the tensioning screw. Then you can tighten the banding with your screwdriver. Securely hand tightening with a screwdriver should be sufficient to securely attach the Base Unit so that it will not move on the pole. Over tightening could damage the threads on the banding and allow it to loosen.



3. - Slide the TOP Arm unit on to the mounting plate with the "Banner" arrow (on the arm casting) pointing DOWN.

Center the Arm Casting on the mounting Base and secure it to the mounting base with two self-locking bolts provided. Tighten the bolts with a 9/16" wrench or socket.

